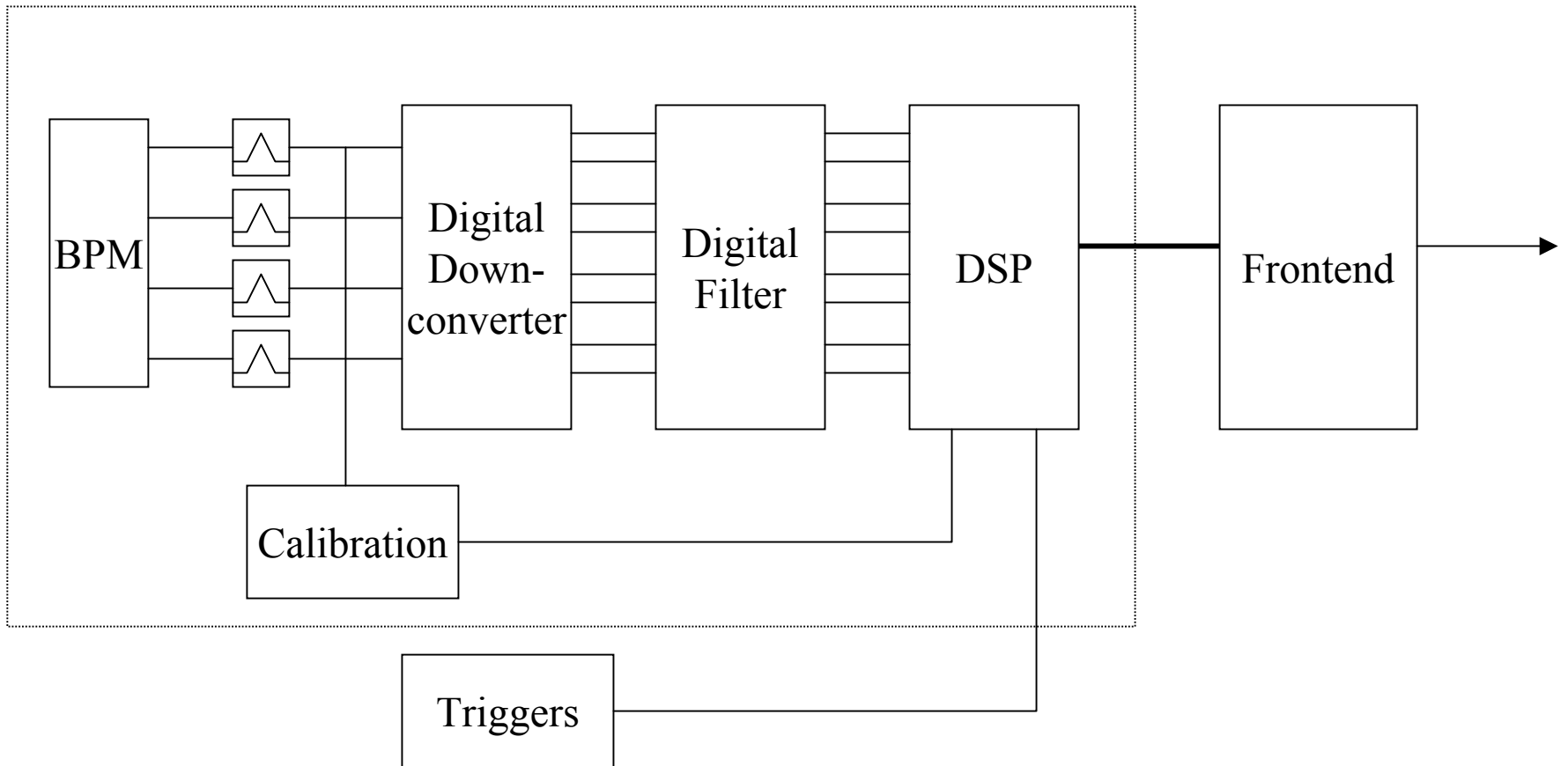


# Purpose of Specifications

- Provide information on component standards and tolerances to designers.
- Provide justification between design and requirements.
- Act as interface between different project subgroups.
- Act as detailed user manual upon completion of project.

# Hardware Architecture Skeleton

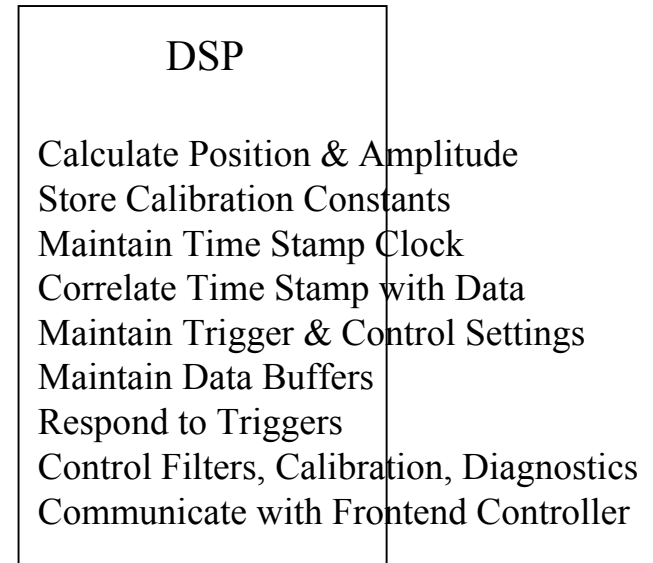
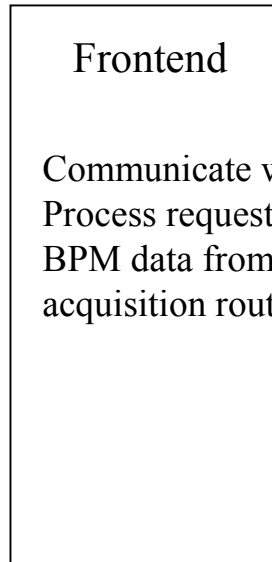
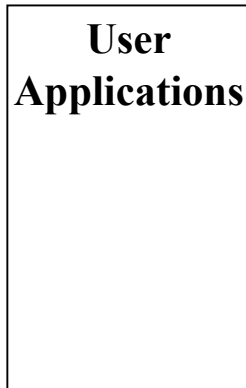


# Crate Layout

Slot 0      Timing BLM    BPM    BPM    BPM    BPM    BPM  
 Contoller    Module InterfaceModule Module Module Module Module

Ethernet Input  Backplane Coordination	TCLK BSNC In	Output Triggers	Trigger In	Control In Data Out	Digitizer Trigger	Data Trigger(s)	Control In Data Out	Digitizer Trigger	Data Trigger(s)	Control In Data Out	Digitizer Trigger	Data Trigger(s)	Control In Data Out	Digitizer Trigger	Data Trigger(s)	Control In Data Out
--	--------------------	--------------------	---------------	------------------------	----------------------	--------------------	------------------------	----------------------	--------------------	------------------------	----------------------	--------------------	------------------------	----------------------	--------------------	------------------------

# Software Architecture Skeleton



# Software Architecture Skeleton

